

DB 150 NBF 5m T280 DL+

H4b W5 B

surface mounted

K732055B

PRODUCT DATA SHEET

Performance class	H4b W5 B
Working width	1,6 m
Vehicle intrusion	VI3 (0,9 m)
Tested system length	80 m
EC Certification report	725109603_2

System series	DB NBF Series
Product variant	DL+ (plus dynamic loads)
Tension bar	T280
Generation	Generation 2

Base element L x B x H	499 x 125 x 153 cm
Base element weight	12.500 kg

Total system height (including noise barrier panels)	250 – 600 cm
Total system width	125 cm

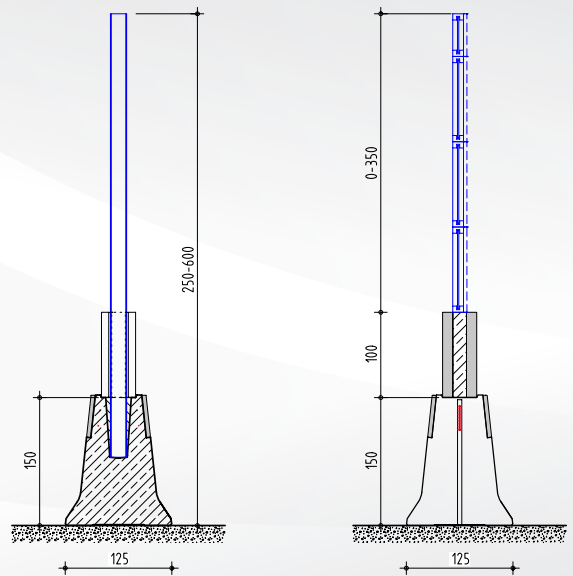
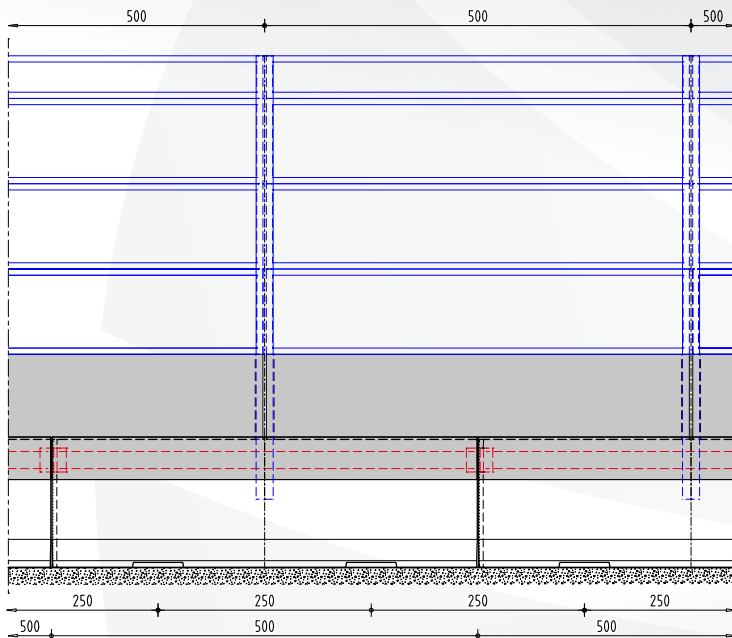
Mode of operation	double sided
Mode of installation	surface mounted
Surface	unbound base course of sandy gravel, asphalt or concrete
Planning width	central reserve 185 cm; verge 155 cm
Terminal anchoring	no
Installation drawing	K732055-EN

Sound insulation	flexible depending on the used product
Sound absorption	flexible depending on the used product
Curve radius	≥ 143 m
Crests radius	≥ 1350 m
Sags radius	≥ 716 m
Max. deviation of base area in cross direction	7 %

THE DB NBF SERIES ABSORBS NOISE AND IMPACTS

The surface mounted H2 and H4b precast system
for the median and roadside.

TYPE DRAWING



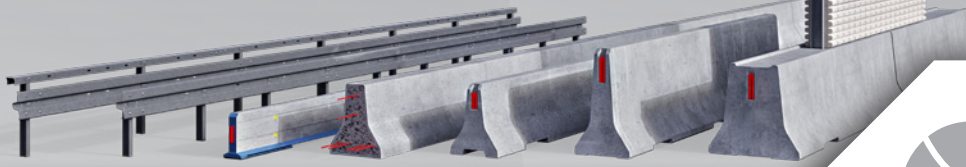
KIRCHDORFER
ROAD & TRAFFIC



DELTABLOC[®]

DELTA BLOC INTERNATIONAL GmbH

Industriestrasse 28
2601 Sollenau, Austria
office@deltabloc.com
+43 57715 / 470 - 0
www.deltabloc.com



DB 150 NBF 5m T280 SL

H4b W5 B

surface mounted

K732055A

PRODUCT DATA SHEET

Performance class	H4b W5 B
Working width	1,6 m
Vehicle intrusion	VI3 (0,9 m)
Tested system length	80 m
EC Certification report	725109603_2

System series	DB NBF Series
Product variant	SL (with static loads)
Tension bar	T280
Generation	Generation 2

Base element L x B x H	499 x 125 x 153 cm
Base element weight	12.500 kg

Total system height (including noise barrier panels)	250 – 600 cm
Total system width	125 cm

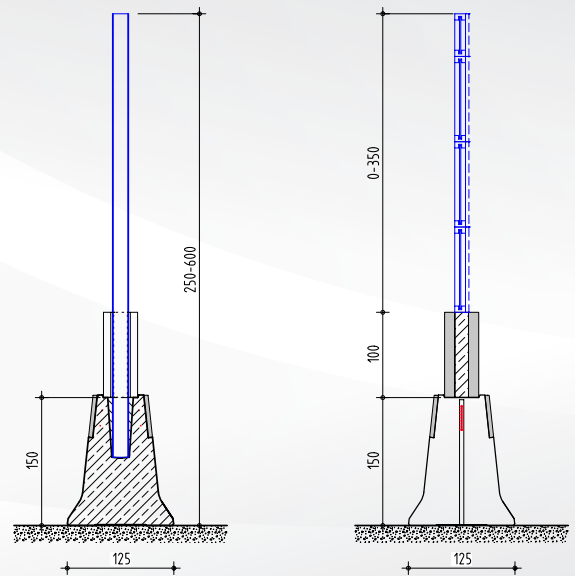
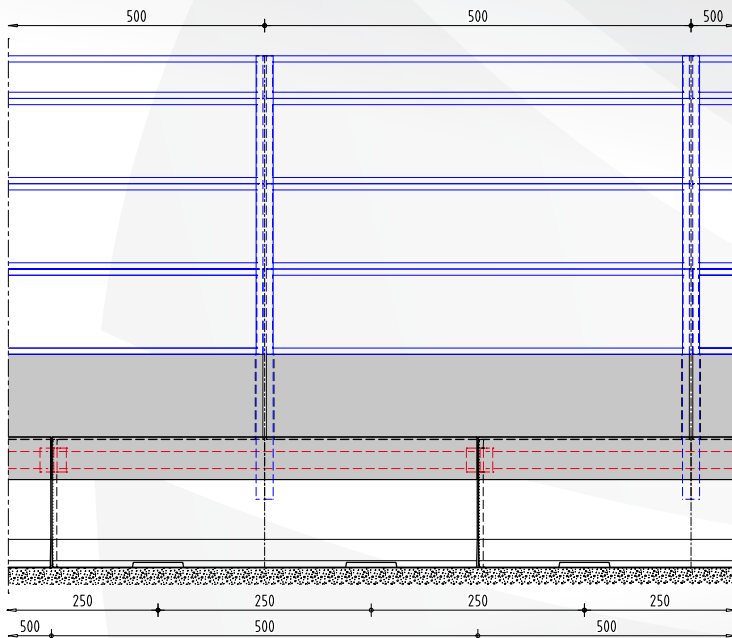
Mode of operation	double sided
Mode of installation	surface mounted
Surface	unbound base course of sandy gravel, asphalt or concrete
Planning width	central reserve 185 cm; verge 155 cm
Terminal anchoring	no
Installation drawing	K732055-EN

Sound insulation	flexible depending on the used product
Sound absorption	flexible depending on the used product
Curve radius	≥ 143 m
Crests radius	≥ 1350 m
Sags radius	≥ 716 m
Max. deviation of base area in cross direction	7 %

THE DB NBF SERIES ABSORBS NOISE AND IMPACTS

The surface mounted H2 and H4b precast system
for the median and roadside.

TYPE DRAWING



KIRCHDORFER
ROAD & TRAFFIC



DELTA BLOC INTERNATIONAL GmbH

Industriestrasse 28
2601 Sollenau, Austria
office@deltabloc.com
+43 57715 / 470 - 0
www.deltabloc.com