

DB 100 NBF 5m T180 DL+

H2 W4 B

surface mounted

K714755B

PRODUCT DATA SHEET

Performance class	H2 W4 B
Working width	1,1 m
Vehicle intrusion	VI1 (0,6 m)
Tested system length	65 m
EC Certification report	725109603_1

System series	DB NBF Series
Product variant	DL+ (plus dynamic loads)
Tension bar	T180
Generation	Generation 2

Base element L x B x H	499 x 105 x 103 cm
Base element weight	8.415 kg

Total system height (including noise barrier panels)	200 – 450 cm
Total system width	105 cm

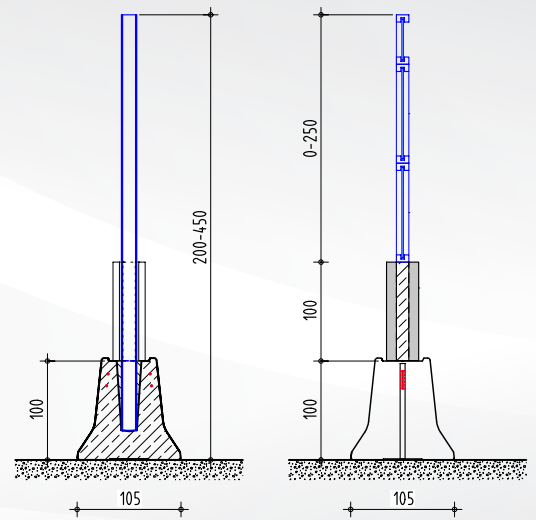
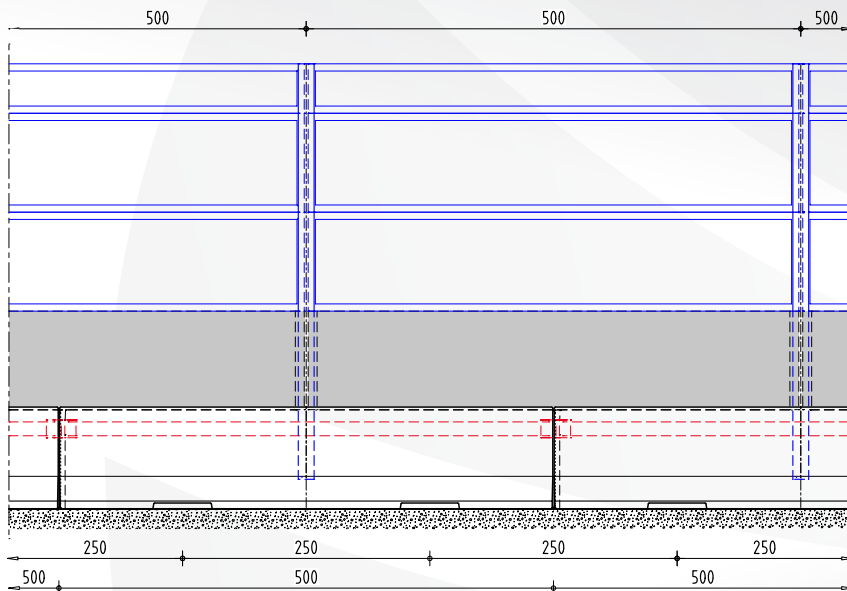
Mode of operation	double sided
Mode of installation	surface mounted
Surface	unbound base course of sandy gravel, asphalt or concrete
Planning width	central reserve 185 cm; verge 155 cm
Terminal anchoring	no
Installation drawing	K714755-EN

Sound insulation	flexible depending on the used product
Sound absorption	flexible depending on the used product
Curve radius	≥ 123 m
Crests radius	≥ 570 m
Sags radius	≥ 960 m
Max. deviation of base area in cross direction	7 %

THE DB NBF SERIES ABSORBS NOISE AND IMPACTS

The surface mounted H2 and H4b precast system
for the median and roadside.

TYPE DRAWING



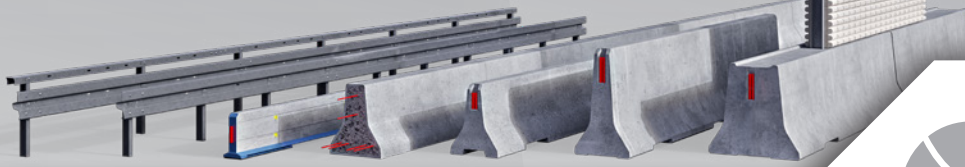
KIRCHDORFER
ROAD & TRAFFIC



DELTABLOC®

DELTA BLOC INTERNATIONAL GmbH

Industriestrasse 28
2601 Sollenau, Austria
office@deltabloc.com
+43 57715 / 470 - 0
www.deltabloc.com



DB 100 NBF 5m T180 SL

H2 W4 B

surface mounted

K714755A

PRODUCT DATA SHEET

Performance class	H2 W4 B
Working width	1,1 m
Vehicle intrusion	VI1 (0,6 m)
Tested system length	65 m
EC Certification report	725109603_1

System series	DB NBF Series
Product variant	SL (with static loads)
Tension bar	T180
Generation	Generation 2

Base element L x B x H	499 x 105 x 103 cm
Base element weight	8.415 kg

Total system height (including noise barrier panels)	200 – 450 cm
Total system width	105 cm

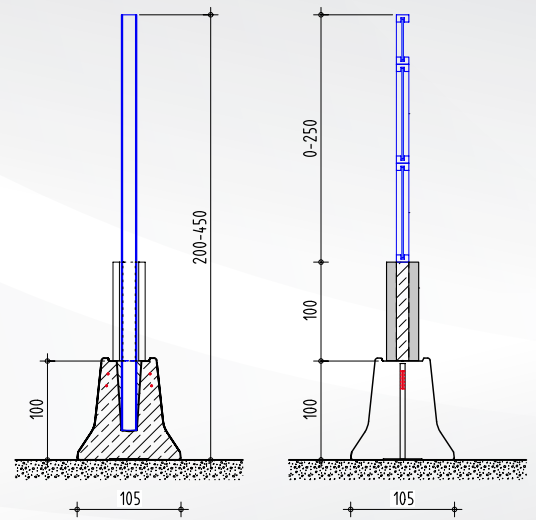
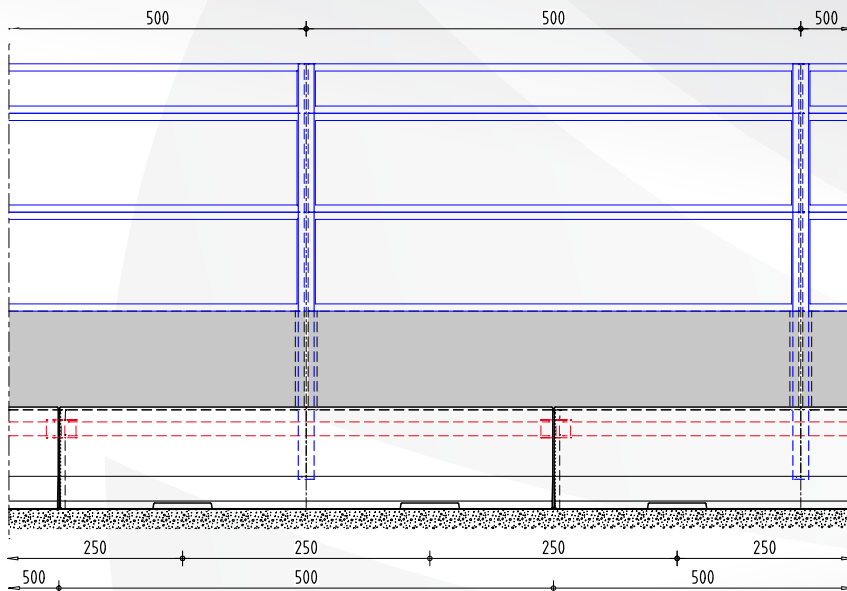
Mode of operation	double sided
Mode of installation	surface mounted
Surface	unbound base course of sandy gravel, asphalt or concrete
Planning width	central reserve 185 cm; verge 155 cm
Terminal anchoring	no
Installation drawing	K714755-EN

Sound insulation	flexible depending on the used product
Sound absorption	flexible depending on the used product
Curve radius	≥ 123 m
Crests radius	≥ 570 m
Sags radius	≥ 960 m
Max. deviation of base area in cross direction	7 %

THE DB NBF SERIES ABSORBS NOISE AND IMPACTS

The surface mounted H2 and H4b precast system
for the median and roadside.

TYPE DRAWING



KIRCHDORFER
ROAD & TRAFFIC



DELTABLOC®

DELTA BLOC INTERNATIONAL GmbH

Industriestrasse 28
2601 Sollenau, Austria
office@deltabloc.com
+43 57715 / 470 - 0
www.deltabloc.com